

COLORBLAZE MOUNTING BRACKETS

INSTALLATION GUIDE



COLOR KINETICS INCORPORATED
10 MILK STREET, SUITE 1100
BOSTON, MA 02108 USA
TEL 888 FULL RGB
TEL 617 423 9999
FAX 617 423 9998
INFO@COLORKINETICS.COM
WWW.COLORKINETICS.COM

ITEM# 116-000010-00 (White)
116-000010-01 (Black)

©2004 Color Kinetics Incorporated. All rights reserved. Chromacore, Color Kinetics, the Color Kinetics logo, ColorBlast, ColorBurst, ColorPlay, ColorScape, iColor, iColor Cove, iPlayer, QuickPlay, and Smartjuice are registered trademarks, and Chromasic, ColorBlaze, ColorCast, and Optibin are trademarks of Color Kinetics Incorporated.

PUB-000114-00 Rev. 00

Specifications subject to change without notice.

INTRODUCTION

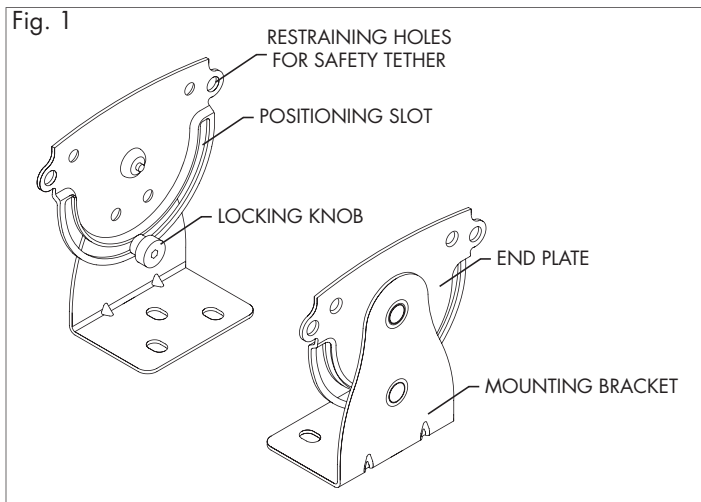
Color Kinetics® ColorBlaze™ Mounting Bracket enables flush, end-to-end fixture installation of the ColorBlaze 48 and ColorBlaze 72. Because ColorBlaze Mounting Bracket is a retrofit product, requiring the removal of the exiting mounting brackets and end plate, it is necessary to adhere to instructions and safety precautions in this installation guide to assure proper installation and warranty protection.

INCLUDED IN THIS BOX:

- (2) ColorBlaze Mounting Brackets
- (8) Mounting Screws
- Installation Guide

ADDITIONAL ITEMS NEEDED:

- Screw driver, M5 Socket Head
- Screw driver, Phillip



SCOPE OF THIS USER GUIDE

The goal of this user guide is to explain in easily understandable language the necessary steps to install the ColorBlaze Mounting Brackets. Its intended use is for reference only, by fully qualified professionals. This document should never be considered a substitute for any provisions of a regulation or state and/or local code.

IDENTIFICATION AND WARNINGS OF SAFETY HAZARDS

In accordance with ANSI Z535.4 the following system of identifying the severity of the hazards associated with the products is used:

- “**DANGER**” Imminently hazardous situation which, if not avoided, will result in death or serious injury.
- “**WARNING**” Potentially hazardous situation that, if not avoided, could result in death or serious injury.
- “**CAUTION**” Potentially hazardous situation that, if not avoided, may result in minor or moderate injury or property damage.

WARNING: Risk of shock! ColorBlaze is a line voltage fixture and replacing the mounting bracket requires opening the fixture. Disconnect power to the ColorBlaze prior to installing the mounting brackets. Failure to do so can result in death, serious injury, and property damage.

WARNING: Do not attempt to install the ColorBlaze Mounting Brackets until you read and understand the installation instructions and safety precautions. Failure to adhere to these instructions could result in serious injury or property damage.

WARNING: Ensure that ColorBlaze Mounting Bracket is installed properly and torqued to specified values. Failure to do so can result in death, serious injury, and property damage.

CAUTION: With end plates removed, ColorBlaze is susceptible to electrostatic discharge. Observe precautions for handling electrostatic sensitive devices.

CAUTION: During mounting bracket replacement, do not insert fingers or other objects into the ColorBlaze. Doing so can result in injury or property damage.

CAUTION: During mounting bracket replacement, ensure that the ColorBlaze remains free from any foreign objects or debris. Failure to do so can result in property damage.

CAUTION: The ColorBlaze Mounting Brackets must be installed in pairs. Replacing only one bracket will result in inability to rotate or position the fixture.

NOTE: The instructions and precautions set forth in this user guide are not necessarily all-inclusive, all conceivable, or relevant to all applications as Color Kinetics cannot anticipate all conceivable or unique situations.

OWNER/USER RESPONSIBILITIES

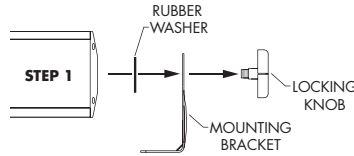
It is the responsibility of the contractor, installer, purchaser, owner, and user to install, maintain, and operate ColorBlaze and ColorBlaze Mounting Brackets in such a manner as to comply with all state and local laws, ordinances, regulations, and the American Standard Institution Safety Code.

INSTALLING MOUNTING BRACKETS

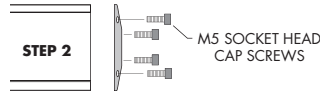
The ColorBlaze Mounting Bracket is a combination mounting bracket and end plate. To install the new mounting brackets, the existing mounting brackets and end plates must be removed and replaced.

DANGER: With the end plate removed, the internal components of the ColorBlaze are exposed, presenting a risk of electric shock. Disconnect power to the ColorBlaze before installing the mounting bracket.

Step 1: Rotate the locking handle counter clockwise to remove from fixture. Removing the locking handle detaches the mounting bracket and gasket from the end plate. Do the same for each end.



Step 2: Remove the four M5 socket head cap screws from the end plate. Carefully remove the end plate.



CAUTION: With the end plate removed, the ColorBlaze is vulnerable to damage from electrostatic discharge (ESD). Follow ESD safety procedures. Ground yourself to prevent damage to electronic components.

Step 3: Using the 8 screws provided, attach the new mounting bracket end plate to the ColorBlaze. Tighten screws to 12.2 lb_f-in (1.37 N-mm).

NOTE: Use only the flat-head, Phillips screws provided with the mounting bracket. Do not reuse the screws that were removed from the existing end plate.

MOUNT THE FIXTURE

The ColorBlaze Mounting Brackets are designed for 1/2" mounting hardware and for use with pipe clamps and Cheeseborough clamps.

Mount the fixture as dictated by local or state code. Attach safety cables in suspended installations. See Fig. 1.

ATTACHING THE SAFETY CABLE

Loop the safety cable through the restraining holes located at each end of the ColorBlaze housing. Securely anchor safety cable according to local and/or state codes.

The safe cables used in the installation shall meet the following minimal requirements:

MATERIAL AND DIMENSION: Determined by installer and/or owner.

BREAK LOAD: The minimum break load for the cable and all cable anchoring construction is 600 pounds, total, minimum break strength.

CONSTRUCTION: 7 x 7 (49 wires) pre-formed stranded.

END TERMINATOR: Determined by installer and/or owner.

MOUNTING METHOD: Determined by installer and/or owner.

AIMING THE FIXTURE

Loosen the locking knob located on the inside of the mounting bracket. The fixture will rotate freely through the radius of the positioning slot. Rotate the fixture to desired position then tighten each locking knob.

CAUTION: Pinch points exist between end plate and mounting bracket. Use caution when aiming or rotating the fixture.

CAUTION: To minimize risk of damage to the outer edge of positioning slot, store and ship the fixture with the locking knob located in the center of positioning slot and tightened. See Fig. 1.

COLORBLAZE MOUNTING BRACKETS SPECIFICATIONS

PACKAGING	Black or white CRS
HARDWARE	8 flat-head Phillip screws, provided
COMPATIBILITY	ColorBlaze 48 and ColorBlaze 72